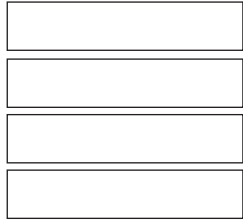


# BARNBEAM WALL + CURB NEW



SIGNATURE SERIES WALL / WETCAST DOUBLE-SIDED / DRY STACK

## BUNDLE OVERVIEW



## UNIT



40w x 6h x 8d in  
1015w x 152h x 203d mm  
Units/bundle: 16

## NOTES

The Barnbeam wall combines the natural grains and details of wood with the durability of concrete. These three sided units are produced using Best Way Stone's wetcast technology allowing for maximum detail, and integral colouring throughout the surface.

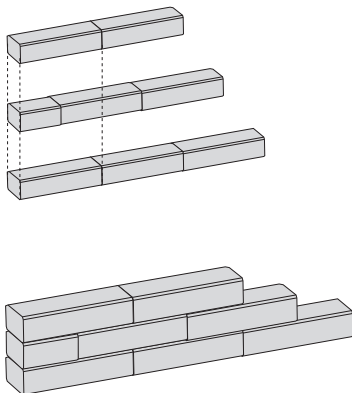
## BUNDLE SPECIFICATIONS

	IMPERIAL	METRIC
Coverage	26.6 ft <sup>2</sup>	2.47 m <sup>2</sup>
Lineal Coverage	53.3 ft	16.24 m
Weight	2527 lbs	1146 kg
Weight per unit	158 lbs	71.7 kg
Coverage per unit	1.66ft <sup>2</sup>	0.15 m <sup>2</sup>
Lineal coverage per unit	3.33 ft	1.01 m

## COLOURS

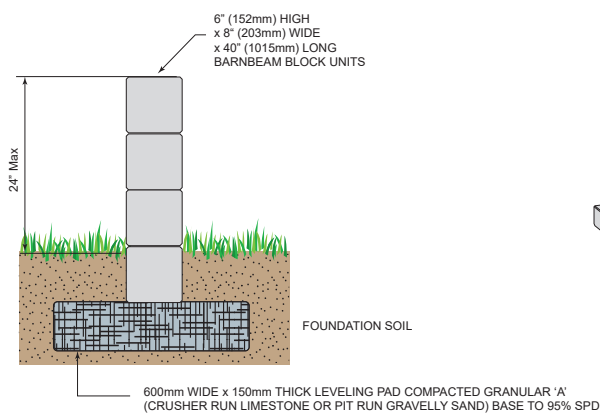
Weatherwood

## 1/2 OFF-SET

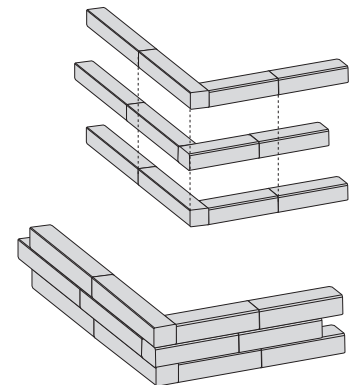


Create 1/2 unit (20" w) to start alternating rows.

## TYPICAL CROSS SECTIONS



## CORNER CONSTRUCTION



Alternate overlap each row.